

Power supply control loop response measurements (Bode plot)

With a Rohde and Schwarz oscilloscope



Your task

To ensure the stability of voltage regulators and switched-mode power supplies, the control loop behavior must be measured and characterized. A well compensating voltage controller enables stable output voltages and reduces the influence of load changes and supply voltage variations. The quality of this control circuit determines the stability and dynamic response of the entire DC/DC converter.

Rohde & Schwarz solution

Easily and quickly analyze low frequency response on your oscilloscope with the R&S®RTx-K36 frequency response analysis (Bode plot) option. Characterize the frequency response of a variety of electronics, including passive filters and amplifier circuits. Measure the control loop response and power supply rejection ratio of switched-mode power

supplies. The R&S®RTx-K36 frequency response analysis (Bode plot) option uses the oscilloscope's built-in waveform generator to create stimulus signals ranging in frequency from 10 Hz to 25 MHz. Measuring the ratio of the DUT signal input and output at each test frequency, the oscilloscope plots gain logarithmically and phase linearly.

The R&S®RTx-K36 frequency response analysis (Bode plot) option allows you to quickly determine the gain and phase margin of switched-mode power supplies or linear regulators. These measurements help determine the control loop stability.

The R&S®RTx-K36 frequency response analysis (Bode plot) option displays the system response to changes in operating conditions, such as supply voltage changes or load current changes.

Measurement setup

Power supply control loops compare reference voltage (V_{ref}) and feedback voltage ($V_{feedback}$) and create a negative feedback to ensure a stable output voltage.

Control loop response testing requires injecting an error signal over a band of frequencies into the feedback path of the control loop. To inject an error signal, a small resistor must be inserted into the feedback loop. The $5\ \Omega$ injection resistor shown in the figure on the next page is insignificant in comparison to the series impedance of R1 and R2. Some users choose to permanently design in this low-value injection resistor ($R_{injection}$) for test purposes. An injection transformer, such as Picotest's J2100A, isolates the AC distortion signal and eliminates any DC bias.

Injection point and probing

To measure the loop gain of a voltage feedback loop, the loop needs to be broken at a suitable point. A distortion signal is injected at this point. The distortion signal will be distributed in the loop circuit. Depending on the loop gain, the injected distortion signal will be amplified or attenuated and shifted in phase. For the R&S®RTx-K36 option, the generator of the oscilloscope generates the distortion signal. The oscilloscope measures the transfer function of the loop.

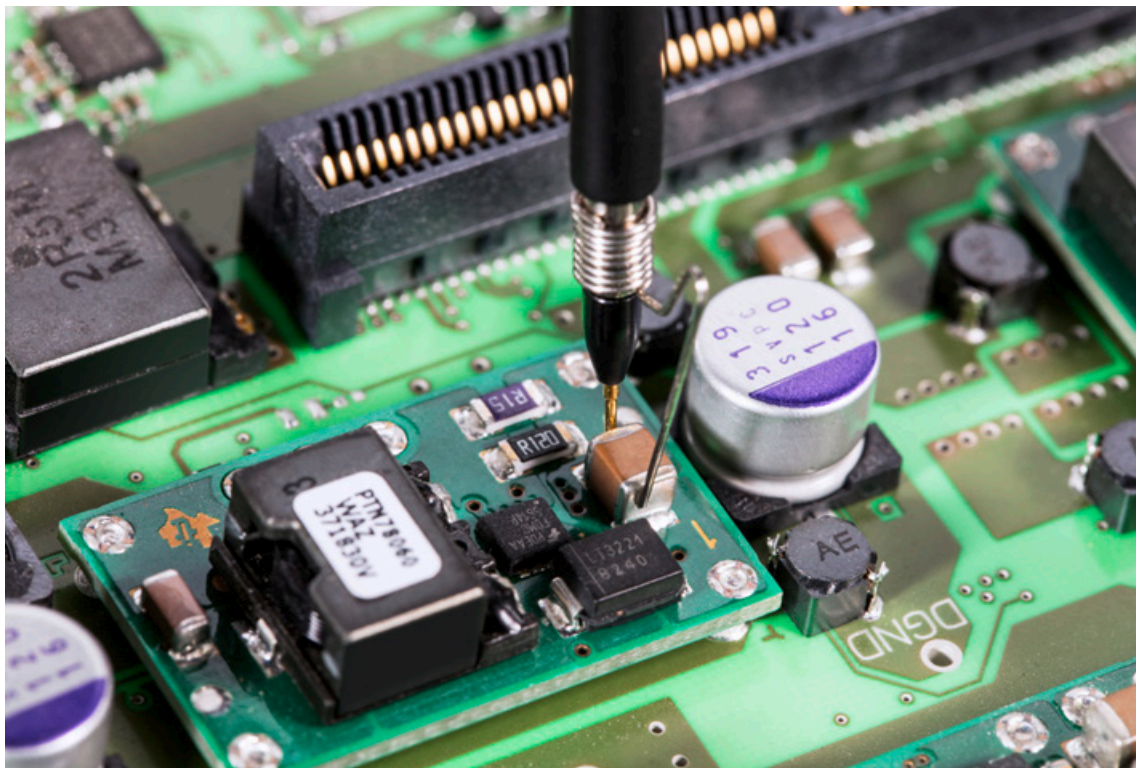
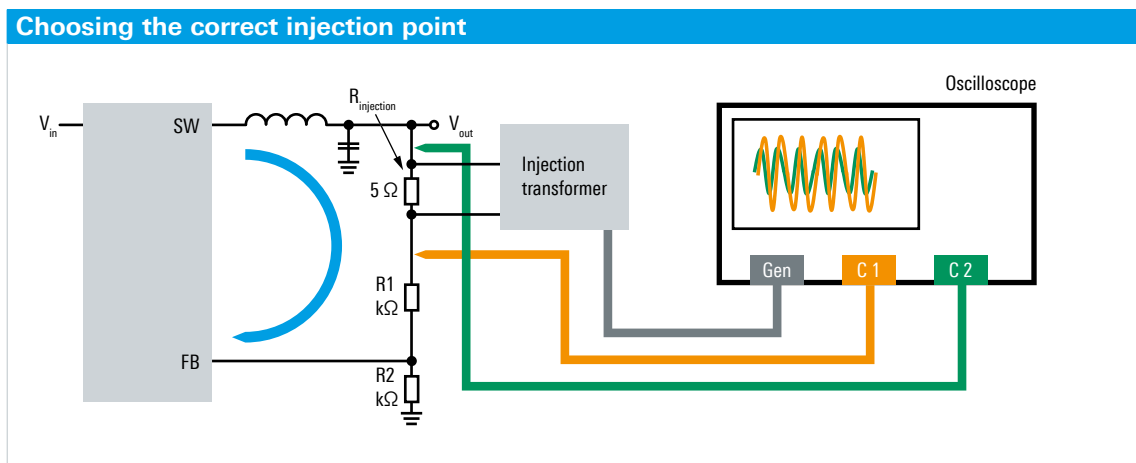
To ensure that the measured loop gain equals the real loop gain, choose a suitable point:

- Find a point where the loop is restricted to one single path to make sure that there are no parallel signal flows.
- Ensure that the impedance in the direction of the loop is much bigger than the backwards impedance at this point. The backwards impedance equals the output impedance of the converter, a very low value in the range of several mΩ. The impedance in the direction of the loop is formed by the compensator and the voltage divider and is in the range of several kΩ.

Accurate control loop response characterization depends on good probing. Peak-to-peak amplitudes of both V_{in} and V_{out} can be very low at some test frequencies. These

values would be buried either in the oscilloscope's noise floor and/or in the switching noise of the DUT itself. This is why increasing the SNR of your measurements will significantly improve the dynamic range of your frequency response measurements. Most oscilloscopes usually come with 10:1 passive probes that have more noise. Using low-noise 1:1 passive probes will reduce measurement noise and improve SNR. Rohde & Schwarz recommends the R&S®RT-ZP1X 1:1 passive probes with 38 MHz bandwidth for this application.

Reducing the length of your probe's ground connection minimizes inductive ground loops. The standard ground lead of your probe can sometimes act as an antenna and amplify unwanted switching noise. Find a ground post near the V_{in} and V_{out} test points. Use the provided ground



Using a ground spring will provide the best signal-to-noise ratio for your power supply rejection ratio measurement

spring of the R&S®RT-ZP1X probe to shorten the ground connection. This will provide a good low-noise ground for your measurement.

Device setup

After connecting the oscilloscope to the circuit under test, start the application:

- Set start and stop frequency between 10 Hz and 25 MHz and determine the generator output level.
- Set the points per decade to improve and modify the resolution of your acquisition. The oscilloscope supports up to 500 points per decade.
- Profile the amplitude of the generator output (up to 16 steps) to suppress the noise behavior of the circuit under test.
- Press run to start your measurement. The measurement results are plotted as gain/phase over frequency. Set your markers to your point of interest.

Measurement results

The curves displayed in the Bode plots represent the transmission function of your circuit and help verify the stability of your system. One graph displays the amplitude behavior over the frequency range in dB, while the second plot displays the phase characteristics over frequency (measured in degrees). Drag markers to the desired positions directly on the plotted trace. A legend displays the coordinates of the markers. To determine the crossover frequency, set one marker to 0 dB and set the second marker to -180° phase shift. Now you can easily determine the phase and gain margin.

View the results in a table. The measurement results table provides detailed information about each measured point (frequency, gain and phase shift). When using markers, the associated row of the result table is highlighted. For reporting, quickly save screenshots, table results or both to a USB device.



Measurement of the stability of a DC/DC converter (blue trace: gain; orange trace: phase; green trace: amplitude profiling of the stimulus signal)



Measurement table

Summary

Oscilloscopes are the primary measurement tools used today by engineers to test and characterize their power supply designs. The R&S®RTx-K36 frequency response analysis (Bode plot) option provides a low-cost alternative to low frequency network analyzers or dedicated stand-alone frequency analyzers.

Ordering information				
Base unit	Type	Order No.	Option	Order No.
Oscilloscope, 70 MHz, 2 channels	R&S®RTB2002	1333.1005.02	R&S®RTB-K36	1335.8007.02/03
Oscilloscope, 70 MHz, 4 channels	R&S®RTB2004	1333.1005.04		
Oscilloscope, 100 MHz, 2 channels	R&S®RTM3002	1335.8794.02	R&S®RTM-K36	1335.9178.02/03
Oscilloscope, 100 MHz, 4 channels	R&S®RTM3004	1335.8794.02		
Oscilloscope, 200 MHz, 4 channels	R&S®RTA4004	1335.7700.04	R&S®RTA-K36	1335.7975.02/03
38 MHz passive voltage probe, 1:1, 55 V	R&S®RT-ZP1X	1333.1370.02		

DISTRAME S.A. - Parc du Grand Troyes - Quartier Europe Centrale - 40, rue de Vienne - 10300 SAINTE-SAVINE
Tél. : +33 (0)3 25 71 25 83 - Fax : +33 (0)3 25 71 28 98 - E-mail : infos@distrame.fr - Site internet : www.distrame.fr

R&S® is a registered trademark of Rohde&Schwarz GmbH&Co. KG
Trade names are trademarks of the owners
PD 5216.4462.92 | Version 01.00 | December 2018 (sk)
Power supply control loop response measurements (Bode plot)
Data without tolerance limits is not binding | Subject to change
© 2018 Rohde&Schwarz GmbH&Co. KG | 81671 Munich, Germany



5216446292