



## Laminar AirPurge

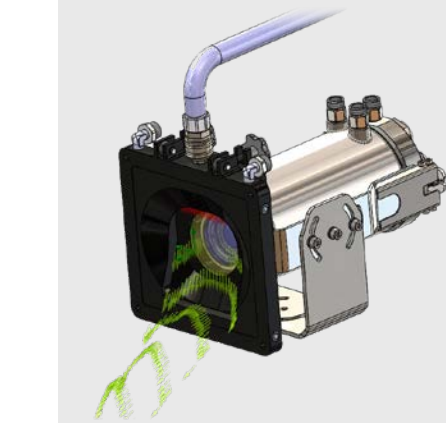
The reliable extension for the CoolingJacket  
in harsh environments

innovative infrared technology

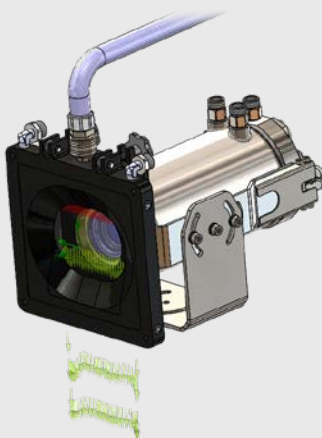
**The reliable extension  
for the CoolingJacket  
in harsh environments**

**Advantages:**

- Easy assembly
- Air and water cooling incl. water-cooled mounting plate
- Flexible laminar air stream for protection from dust and dirt
- Easy maintenance due to folding mechanism
- Focussable from the outside once installed
- Integrated protection window for mechanical protection
- Also available as line scan version



Orthogonal airflow



Parallel airflow

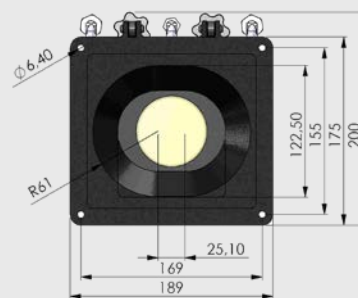
**Technical specifications**

Protective rating	IP 65
Ambient temperature	Up to 315 °C (599 °F) (with water cooling)
Material	Aluminum
Dimensions (W x H x D)	200 x 189 x 43 mm (7.87 x 7.44 x 1.71 in)
Weight	1.9 kg (4.19 lb)
Air purge connection	NW 7.2
Cooling water connection	G3/8° external thread
Cooling water pressure	Max. 8 bar
Volume stream	120 l/min
Air pressure	1.1 – 8 bar
Protective window	Necessary <sup>1)</sup>
Version/options	Available as standard and as line scan option

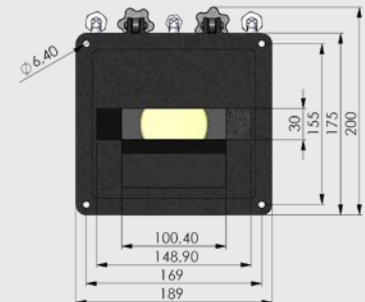
<sup>1)</sup> A protective window (67 x 3 mm [2.48 x 0.12 in]) has to be ordered separately

**Dimensions**

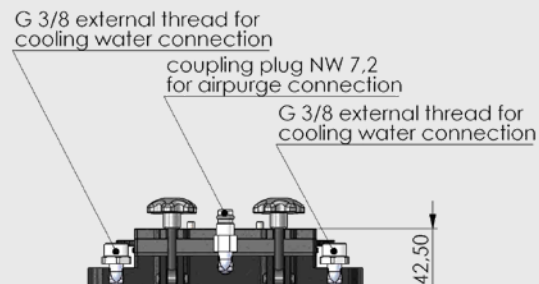
Laminar AirPurge: standard model



Laminar AirPurge: Line scan model



Laminar AirPurge: Connections



**DISTRAME SA**