



# HM-B201-MACRO

## Thermography Camera Macro Lens

HIKMICRO HM-B201-MACRO macro lens allows you to focus extremely close up 30 mm on a very small subject so that it appears much larger in the view (and in the final image), compared to the standard lens. It allows you to capture accurate temperature measurements of small targets as small as  $500\ \mu\text{m} \times 500\ \mu\text{m}$  without changing the lens.

Get an incredibly detailed image of very small objects, so you can gain insight into thermal buildup and dissipation on printed circuit boards, identify a faulty or undersized component, or potentially even pinpoint precise faulty locations on electrical equipment.

HIKMICRO HM-B201-MACRO macro lens is compatible with the B series (B10, B20, B1L, B2L) thermography cameras.

### Key Features

- High Accuracy: Max. ( $\pm 3^\circ\text{C}/5.4^\circ\text{F}$ ,  $\pm 3\%$ ), for object temperature between  $0^\circ\text{C}$  ( $32^\circ\text{F}$ ) to  $150^\circ\text{C}$  ( $302^\circ\text{F}$ )
- See Smaller: Small details are clearly visible, imaging the target as small as  $100\ \mu\text{m} \times 100\ \mu\text{m}$
- Easy installation: Easy to attach the macro lens to compatible cameras
- No Calibration Required: Ready to use once installed, saves the hassle of sending the camera to the manufacturer to calibrate the lens

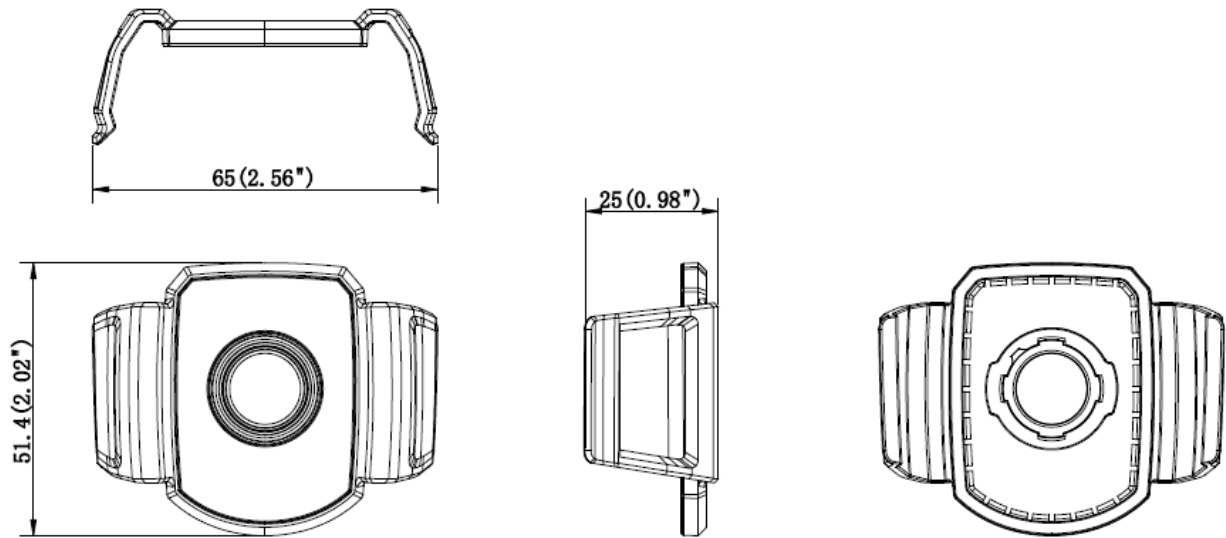
## Specification

| THERMAL MODULE               |  |
|------------------------------|--|
| FOCAL LENGTH                 | 4.6 mm   |
| FOV (FIELD OF VIEW)          | 36° (H) × 28° (V)  |
| IFOV (SPATIAL RESOLUTION)    | 2.55 mrad  |
| FOCUSING DISTANCE            | 30 mm ± 1 mm (1.18" ± 0.04")   |
| MIN. IMAGING OBJECT SIZE     | 100 µm × 100 µm  |
| MIN. TEMPERATURE OBJECT SIZE | 500 µm × 500 µm  |
| MAGNIFICATION                | 0.12x  |
| MEASUREMENT AND ANALYSIS     |  |
| OBJECT TEMPERATURE RANGE     | -20°C to 150°C (-4°F to 302°F)   |
| ACCURACY                     | Max. (± 3°C/5.4°F, ± 3%), for object temperature between 0°C (32°F) to 150°C (302°F) |
| GENERAL                      |  |
| WORKING TEMPERATURE RANGE    | -20°C to 50°C (-4°F to 122°F)  |
| WEIGHT                       | 14 g (0.03 lb)   |
| DIMENSION                    | 51.4 mm × 65 mm × 25 mm (2.02" × 2.56" × 0.98")                                      |

## Available Model

**HM-B201-MACRO**

## Dimension



Unit: mm (Inch)

COMPLIANCE NOTICE: The thermal series products might be subject to export controls in various countries or regions, including without limitation, the United States, European Union, United Kingdom and/or other member countries of the Wassenaar Arrangement. Please consult your professional legal or compliance expert or local government authorities for any necessary export license requirements if you intend to transfer, export, re-export the thermal series products between different countries.



**DISTRAME**

Parc du Grand Troyes - Quartier Europe Centrale, 40 rue de Vienne - 10300 SAINTE-SAVINE  
Tél. : 03 25 71 25 83 - [infos@distrame.fr](mailto:infos@distrame.fr) - [www.distrame.fr](http://www.distrame.fr)