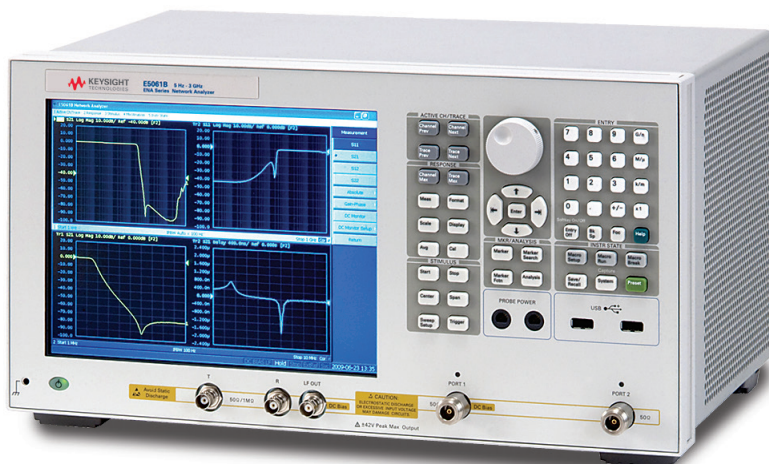


# Keysight E5061B

## Network Analyzer

5 Hz to 3 GHz

### Technical Overview



## Ultimate general-purpose network analyzer

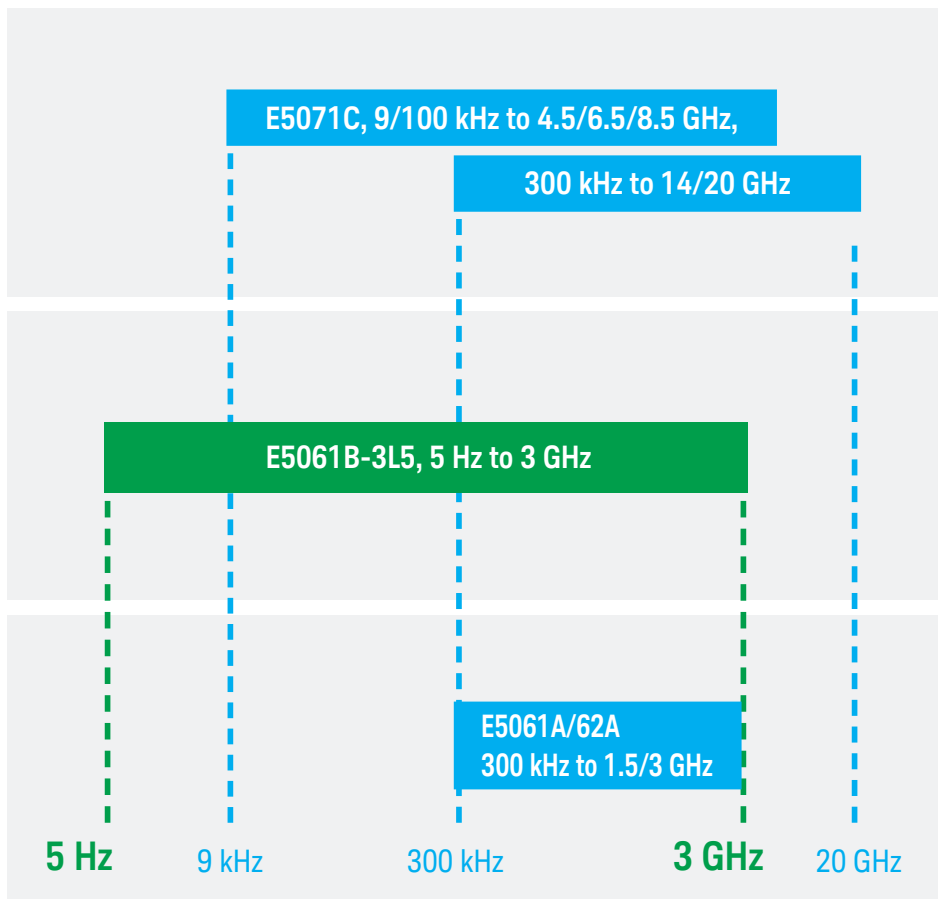
The Keysight Technologies, Inc. E5061B is the latest addition to the industry-standard ENA Series Network Analyzer. The option E5061B-3L51 expands the frequency range down to 5 Hz for network analysis, while covering the most frequently-used RF ranges up to 3 GHz. The established RF network analysis technology of the ENA Series is seamlessly integrated with the full-fledged low-frequency network analysis functionalities in a compact box. The E5061B-3L5 LF-RF network analyzer addresses a variety of network measurement needs with its broad frequency coverage, excellent performance, and versatile functionalities. This technical overview describes features and provides application examples of the E5061B-3L5.

## E5061B-3L5 Key Features

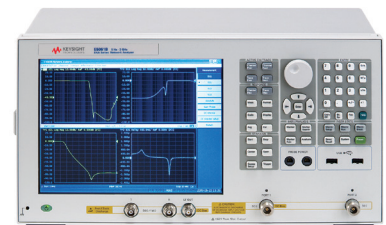
- 5 Hz to 3 GHz frequency
- S-parameter test port (5 Hz to 3 GHz, 50  $\Omega$ )
- Gain-phase test port (5 Hz to 30 MHz, 1 M $\Omega$ /50  $\Omega$ )
- Wide dynamic range
- Built-in DC bias source (up to  $\pm 40$  Vdc)
- Compact form factor



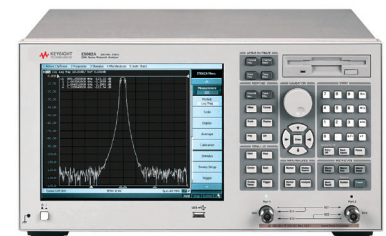
## ENA Series Lineup



E5071C



E5061B



E5061A/62A

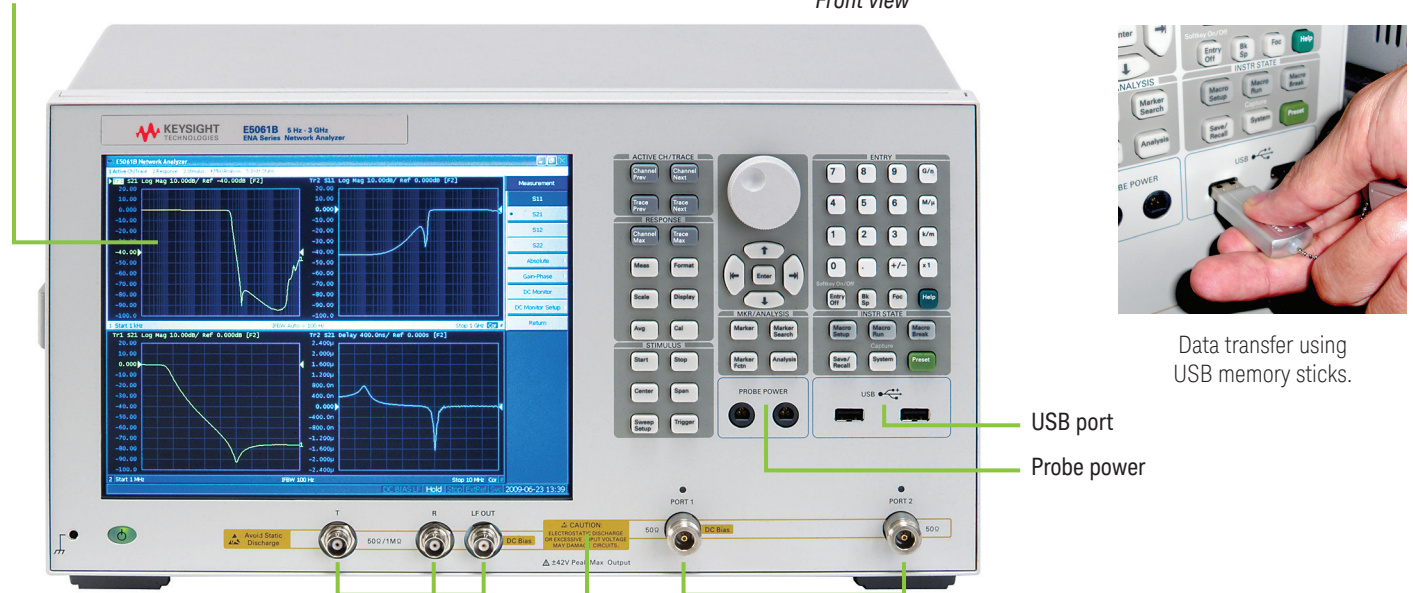
1. E5061B-3L5 is the only one test set option available as of October 2009.

## Supports general and advanced network analysis

The E5061B is equipped with high-performance measurement functions and a modern user interfaces such as Windows OS, a touch screen panel, and USB memory. These functions not only enable you to evaluate your devices in more detail but also help you improve measurement efficiency.

10.4 inch LCD touch screen

Front view

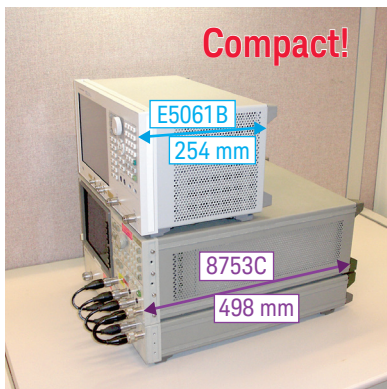


Data transfer using USB memory sticks.

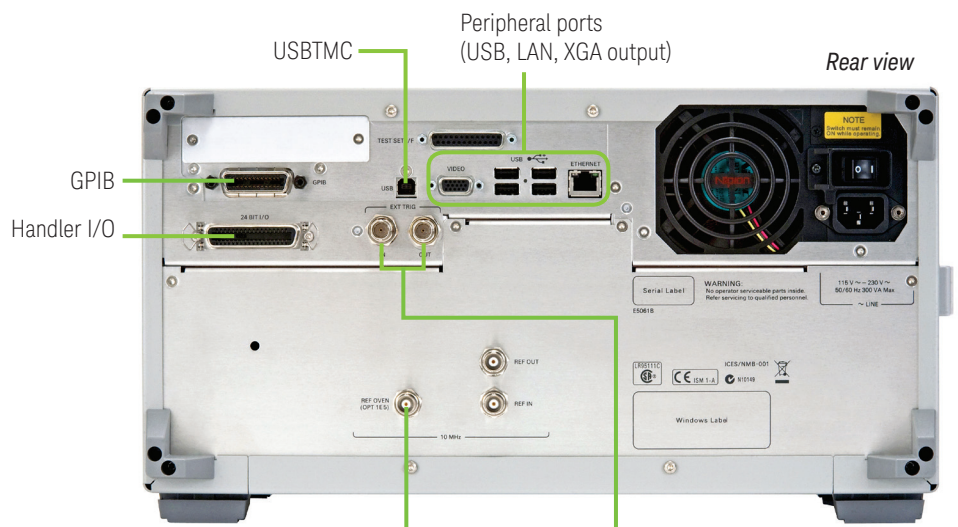
**Gain-phase test port**  
5 Hz to 30 MHz, BNC;  
- LF OUT (source)  
- R (1 MΩ/50 Ω)  
- T (1 MΩ/50 Ω)

**Built-in DC bias**  
DC bias (up to ±40 Vdc)  
can be applied from the LF OUT or port-1.

**S-parameter test port**  
5 Hz to 3 GHz, type-N (50 Ω)



**Compact body**  
(Comparison with 8753C Network Analyzer)



High stability frequency reference (Option 1E5)

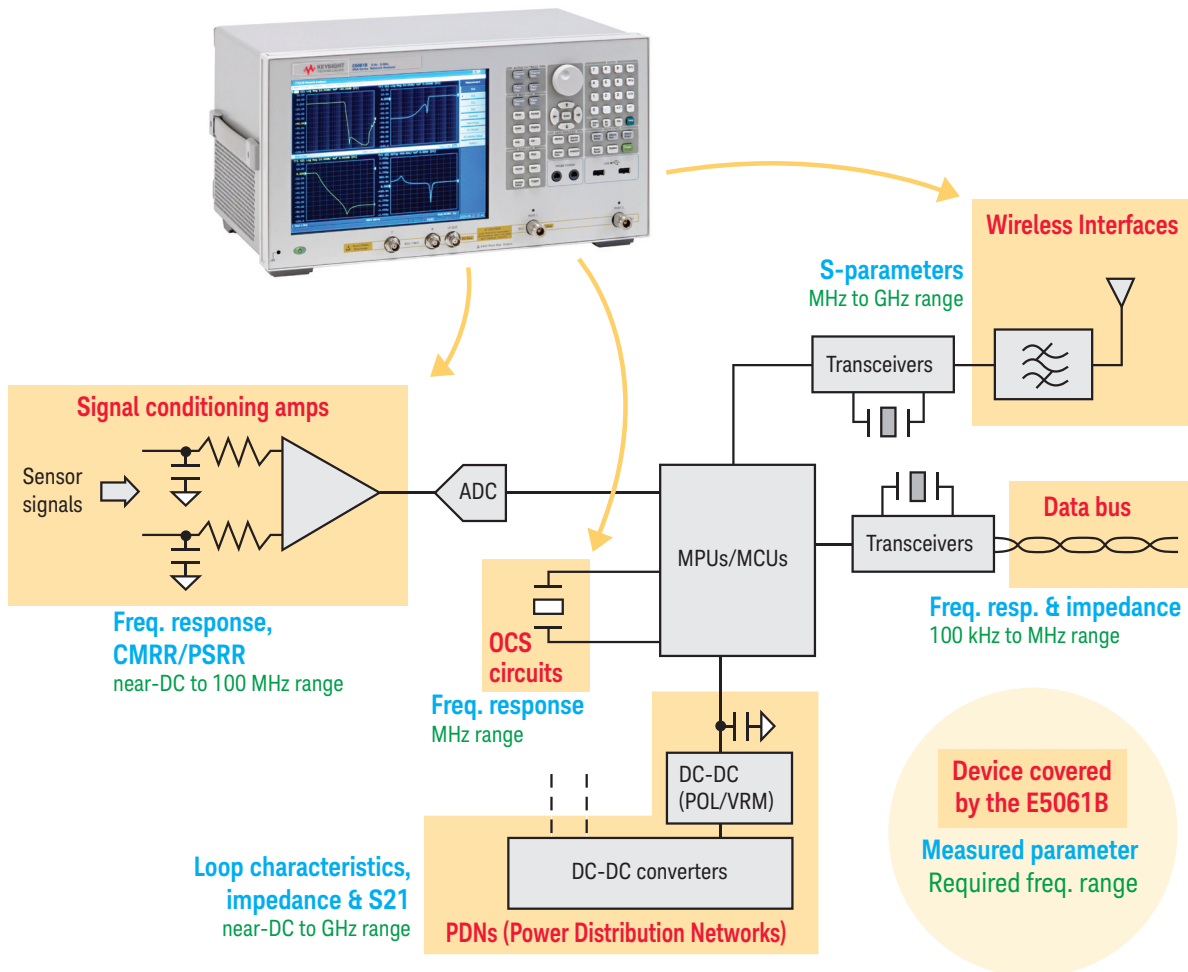
External Trigger-IN/OUT

## “One for every lab”

### Respond to a variety of measurement needs in R&D using a single instrument

With its basic and useful S-parameter measurement ability in a wide frequency range, the E5061B can help you in a variety of measurement areas. Meanwhile, the uncompromised performance in a low frequency (LF) range along with the gain-phase test port strongly supports you in designing LF components and circuits.

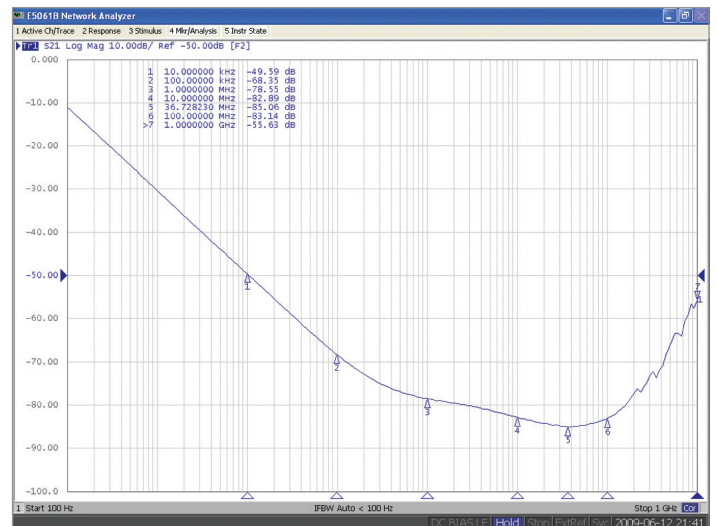
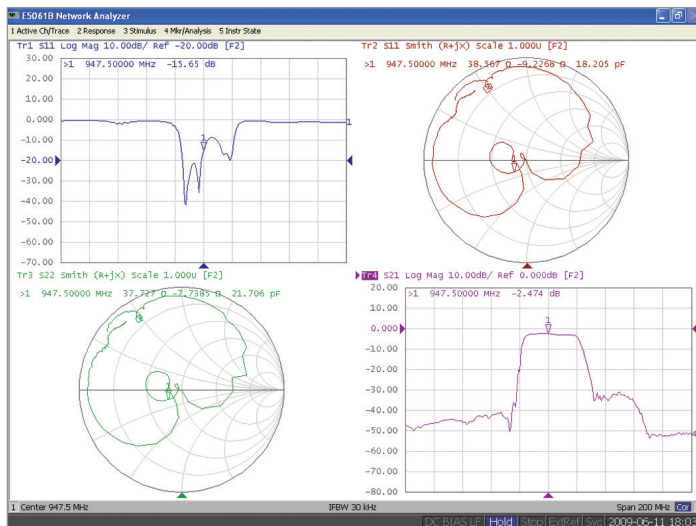
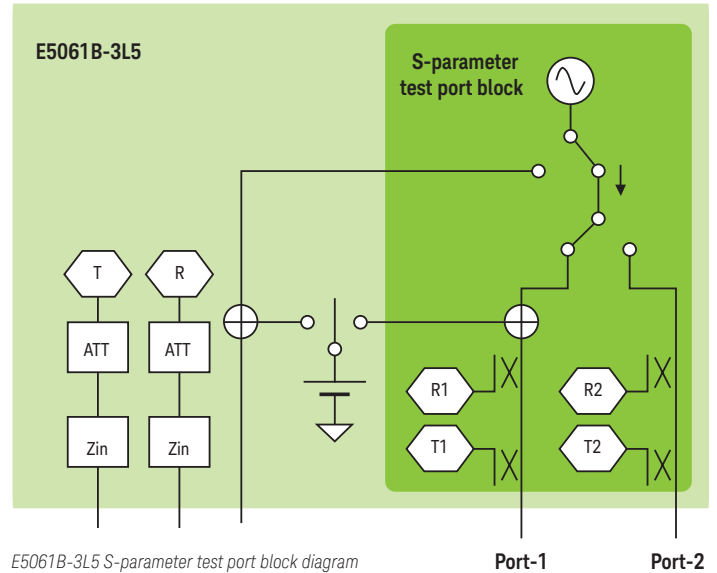
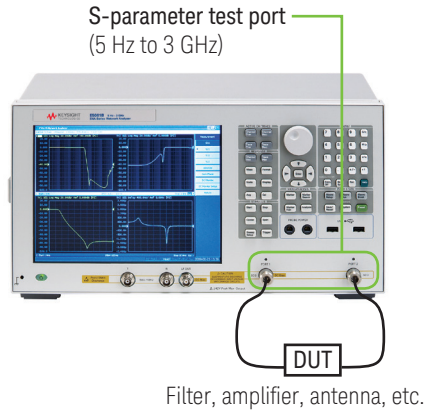
For example, for high-reliability electronic equipment such as automotive, medical, analytical, and aerospace & defense, the E5061B-3L5 enables you to evaluate various kinds of components and circuits used in this type of equipment. The broad coverage for low-frequency devices such as DC-DC converters and sensor circuits to RF devices used in the radio systems and wireless interfaces enables you to improve the performance and quality of your end products.



E5061B-3L5 covers wide applications in high-reliability electronic equipment

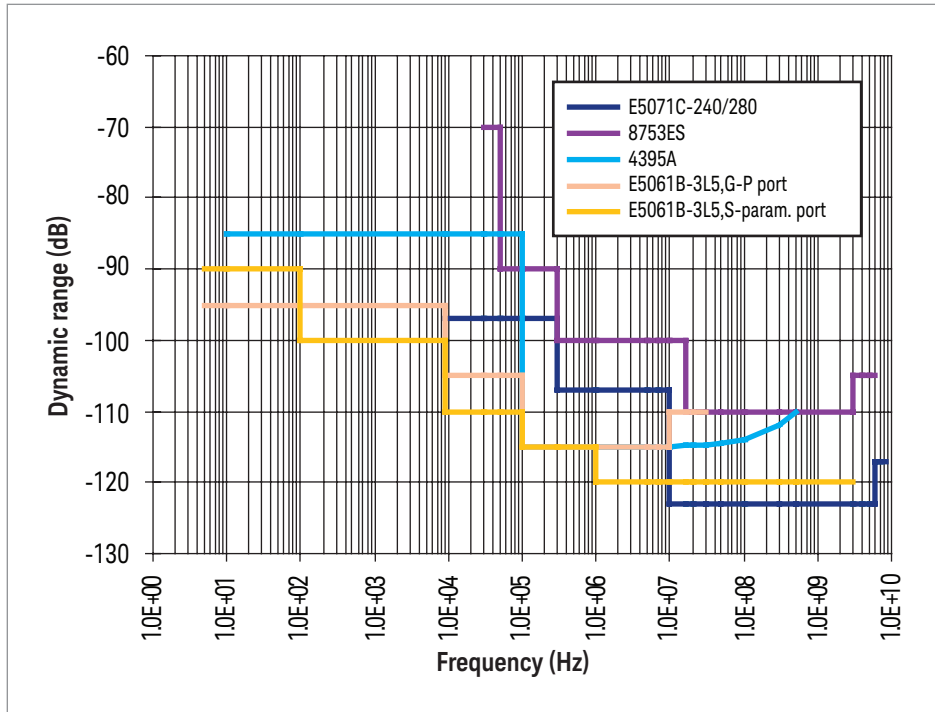
## General S-parameter measurements from 5 Hz to 3 GHz

The built-in 50 ohm S-parameter test set of the E5061B-3L5 fully covers the frequency range of 5 Hz to 3 GHz. It enables you to measure S-parameters of not only RF devices such as filters, amplifiers, and antennas, but also low-frequency devices such as xDSL filters and power-line EMI filters at the same test ports without using external test sets. It also allows you to evaluate broadband devices such as data cables, transformers, PDNs (power delivery networks), and broadband amplifiers over a wide frequency range with a single sweep.

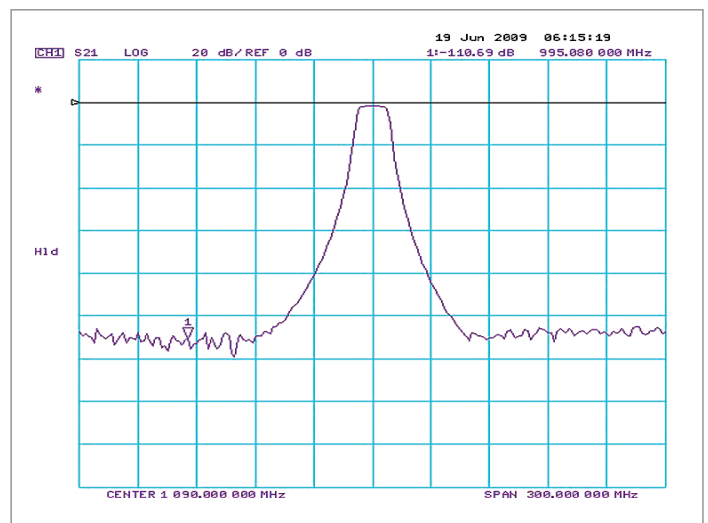
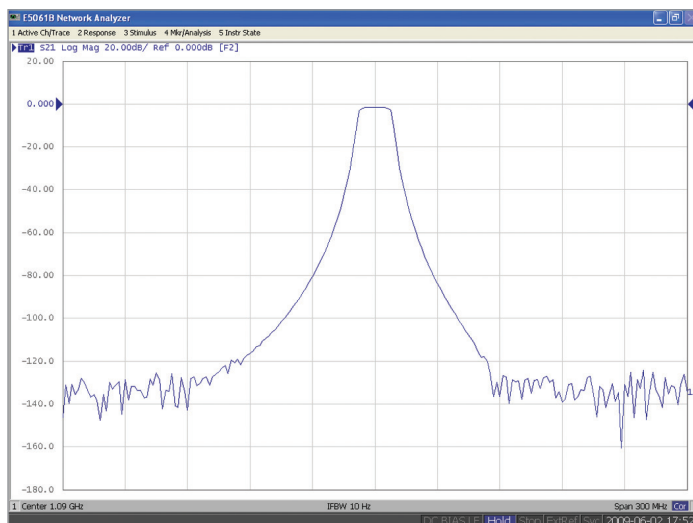


## Excellent dynamic range performance

The E5061B-3L5 offers a wide dynamic range performance that is comparable or superior to other high-end LF and RF network analyzers. A key advantage over other network analyzers is the excellent dynamic range in the lower frequencies up to 10 MHz. This is beneficial not only for low-frequency applications but for applications around 100 kHz to 10 MHz.



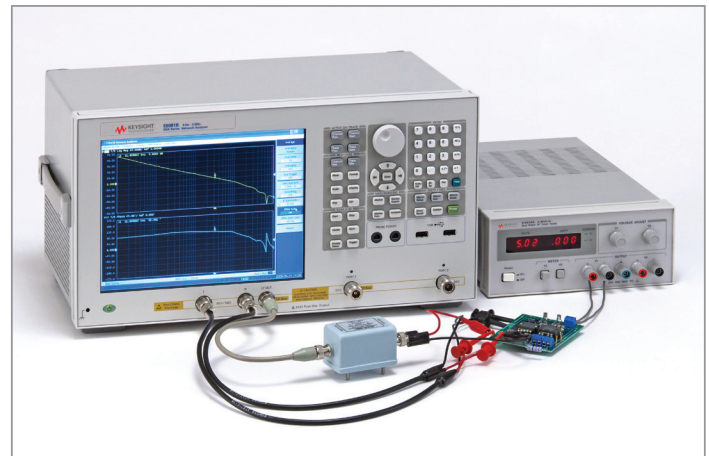
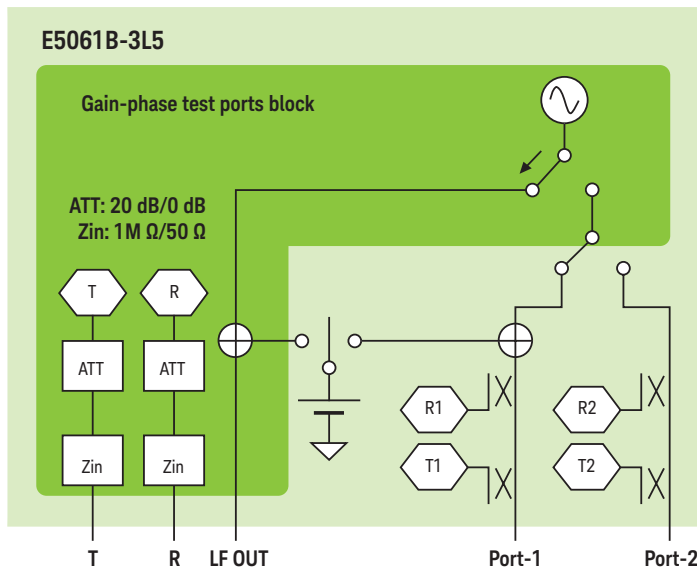
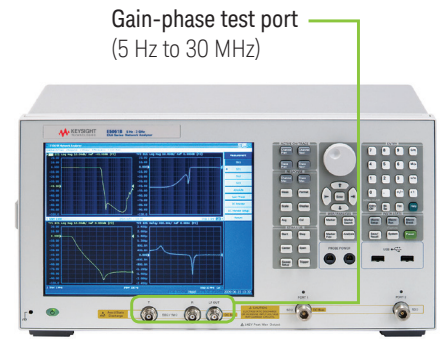
Dynamic range spec comparison among Keysight network analyzers



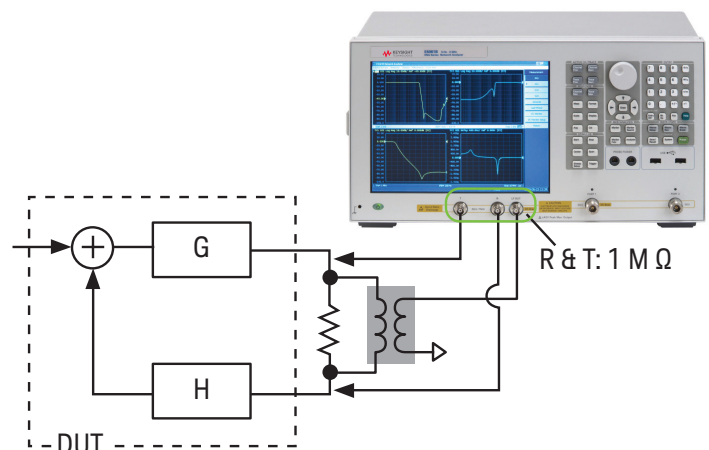
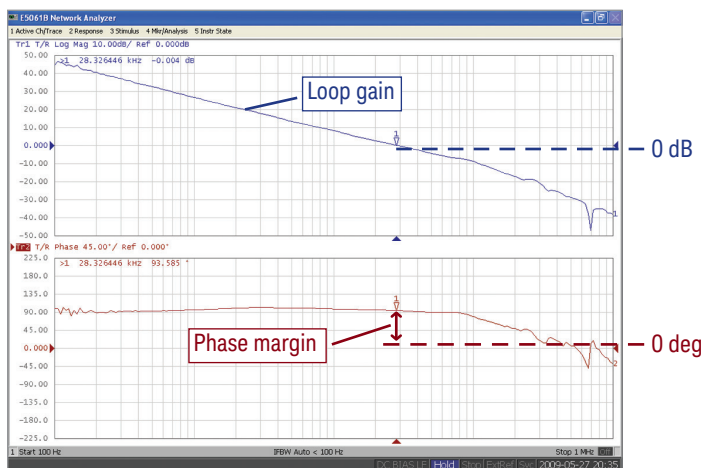
E5061B-3L5 offers a wide dynamic range (High-rejection RF filter measurements, F0=1.09 GHz, Source=10 dBm, IFBW=10 Hz. Compared with the Keysight 8753ES Network Analyzer)

## High-impedance probing measurements using gain-phase test port

In addition to the S-parameter test port, the E5061B-3L5 is equipped with the gain-phase test port for low-frequency applications that require direct source and receiver access and high-impedance probing. The gain-phase test port enables you to easily perform high-impedance probing measurements for low-frequency amplifiers, and control loop circuits such as DC-DC converters. The test frequency range of the gain-phase test port is 5 Hz to 30 MHz. The input impedance of R and T receivers is switchable to 1 MΩ//30 pF and 50 Ω. Each receiver has an internal attenuator (0 dB/20 dB, manually selectable) and you can optimize the receiver's full-scale input level and the receiver noise floor depending on the DUT's output level and the attenuation of passive probes connected to the receiver.



E5061B-3L5 gain-phase test port block diagram



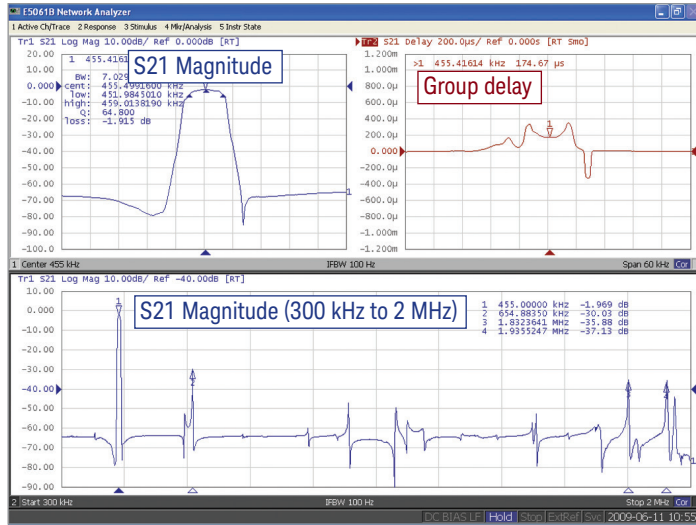
DC-DC converter loop stability measurement (100 Hz to 1 MHz)

## High-impedance probing measurements using an active probe

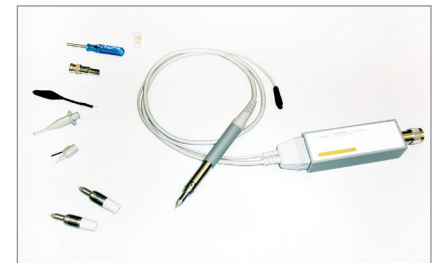
The E5061B-3L5 also has built-in probe powers for connecting an external active probe. This enables you to perform high-impedance probing measurements for devices that must be tested at higher frequencies than 30 MHz, such as highspeed OP-amps, and for devices that require very small probing capacitance, such as ceramic IF filters, oscillator circuits, and antenna coils. The Keysight 41800A active probe is the best choice for these applications.



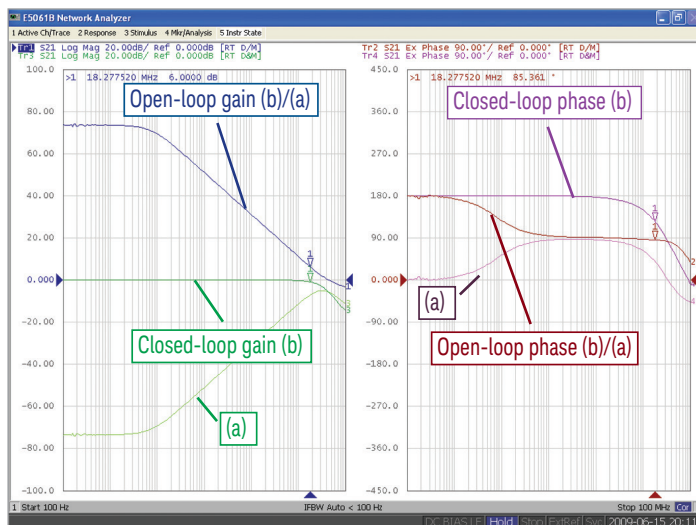
Keysight E5061B and 41800A



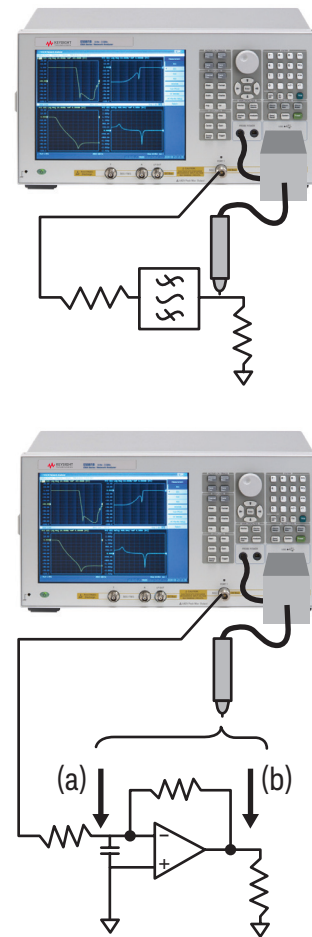
Ceramic IF filter measurement (F0=455 kHz)



Keysight 41800A Active Probe



Frequency response measurement of high-speed OP-amp (100 Hz to 100 MHz, open-loop responses obtained with two-step measurements and Data Math function)

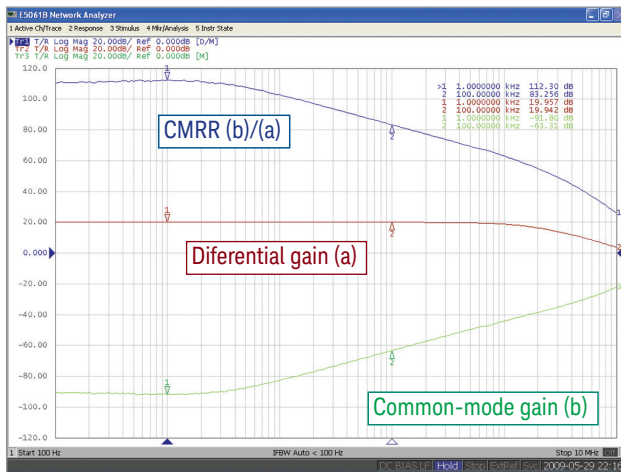




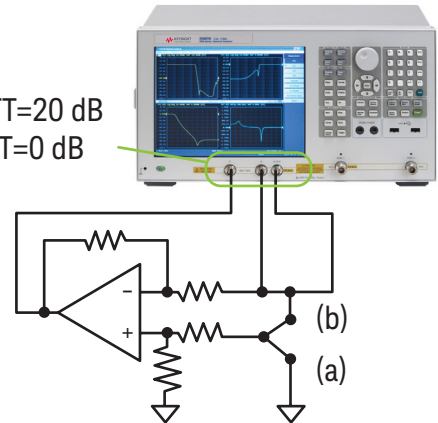
## High-attenuation measurement with ease

In high-attenuation measurements where there are shunt signal paths at the DUT, the actual measurement dynamic range of general network analyzers is degraded in the low frequency range due to the measurement error caused by the test cable ground loop between the source and receiver. This is a common problem which occurs in conventional network analyzers, and even in the S-parameter test port of the E5061B-3L5. To reduce this measurement error, it is necessary to attach magnetic cores or an isolation transformer to the test cables. This is troublesome and not easy to fully eliminate the measurement error especially at a very low frequency range.

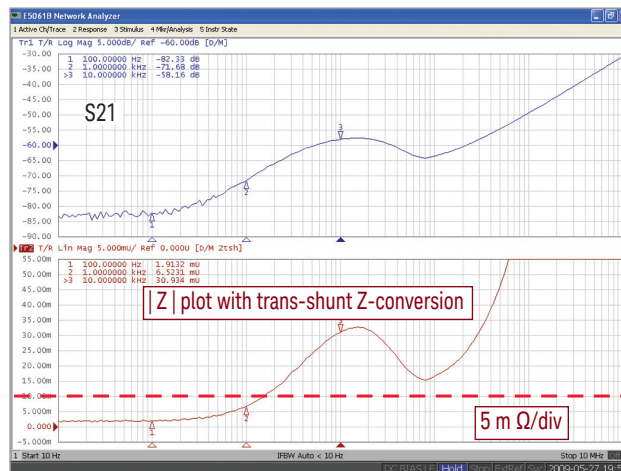
The gain-phase test port of the E5061B-3L5 solves this problem. The gain-phase test port has an internal hardware architecture that minimizes the test cable ground loop, and provides wide dynamic range down to 5 Hz without using external magnetic cores or isolation transformers. The gain-phase test port enables you to easily measure high attenuation parameters of low-frequency devices, such as CMRR/PSRR of OP-amps, milliohm impedance of DC-DC converters, and bulk decoupling capacitors mounted on power delivery networks. Evaluating these critical parameters improves the reliability of analog signal chains and the power integrity of high-speed digital circuits in electronic equipment.



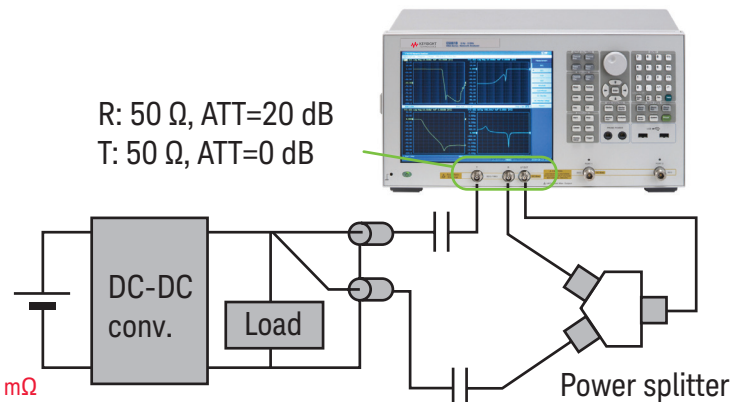
R: 1 M  $\Omega$ , ATT=20 dB  
T: 1 M  $\Omega$ , ATT=0 dB



OP-amp CMRR measurement (using Data Math function, 100 Hz to 10 MHz)



R: 50  $\Omega$ , ATT=20 dB  
T: 50  $\Omega$ , ATT=0 dB

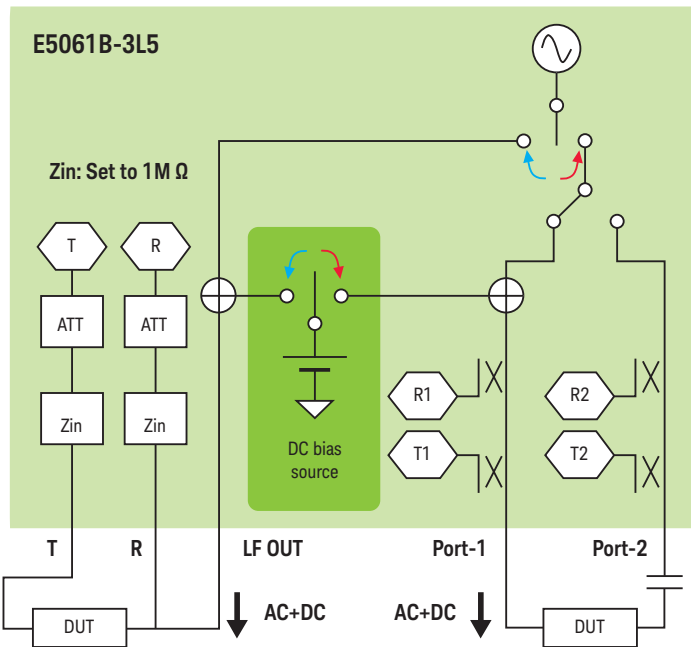


DC-DC converter output impedance measurement with shunt-thru method (100 Hz to 10 MHz)

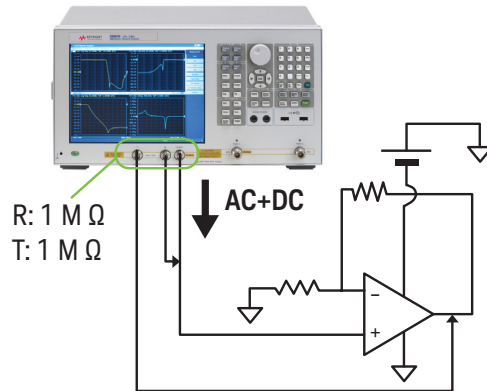
## DC-biased measurements

The E5061B-3L5 is equipped with a built-in DC bias source as a standard feature, which supplies a sweepable DC bias voltage from 0 to  $\pm 40$  Vdc. This unique feature improves efficiency for evaluating amplifiers and other devices that require DC-biased measurements.

The DC bias can be internally superimposed to the source signal in the measurements at the gain-phase test port or the S-parameter test port. This function allows you to easily perform DC-biased transmission and reflection measurements from a low frequency range down to 5 Hz. It is very useful for evaluating frequency responses of single-supply amplifiers, DC-bias vs. gain characteristics of video OP-amps, PSRR of amplifiers, and so on..



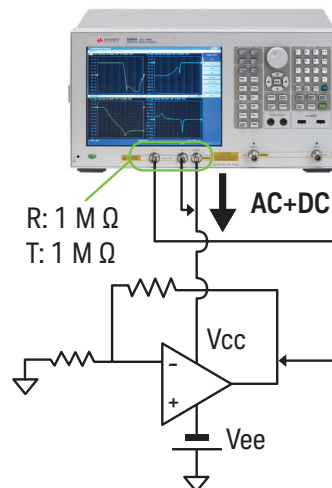
E5061B-3L5 internal DC bias source block diagram



Frequency response measurement with DC-bias

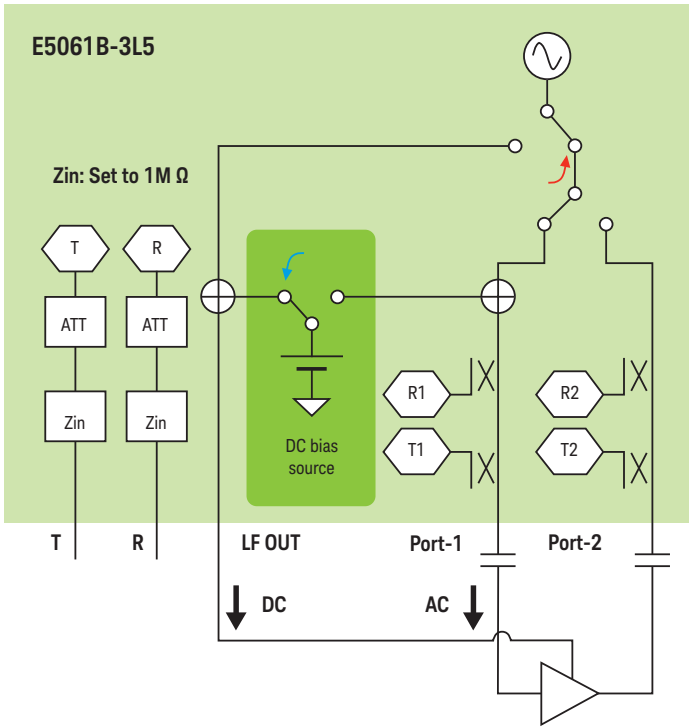


OP-amp PSRR measurement (100 Hz to 10 MHz)

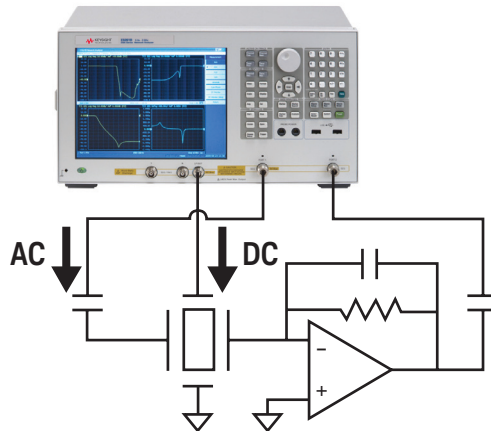


## Using as a sweepable DC source

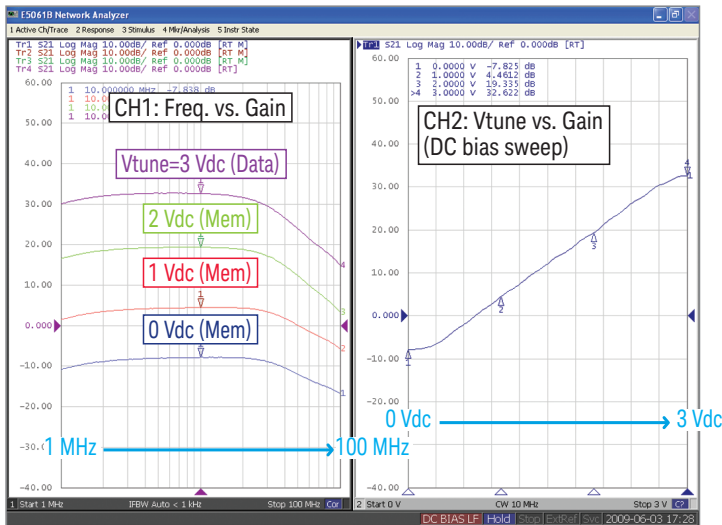
For measurements at the S-parameter test port, the built-in DC bias source can supply only DC voltage via the LF OUT port, while supplying the AC test signal at port-1 and -2. The output impedance of the LF OUT port is 50 ohm. This function is very useful for evaluating voltage-tunable devices that have separate DC bias terminals, such as MEMS resonators, variable gain amplifiers for ultrasound system, other medical/analytical systems, tunable antennas, and so forth.



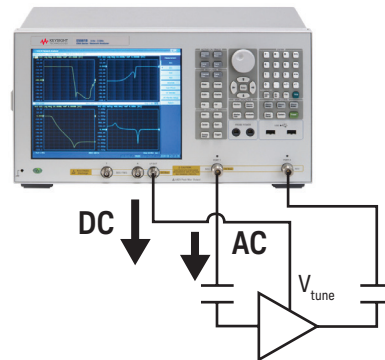
E5061B-3L5 internal DC bias source block diagram



MEMS resonator transmission measurement



Variable gain amplifier measurement  
(CH1: 1 MHz to 100 MHz, CH2: DC bias sweep 0 to 3 Vdc)



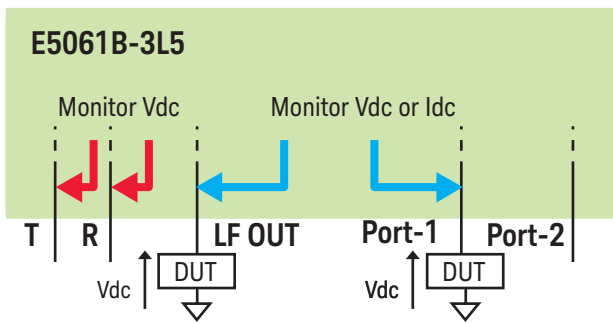
## Useful functions

The E5061B-3L5 is equipped with many other functions that are not available in existing low-frequency network analyzers. These functions will help you to easily achieve your measurement application goals.

### DC monitor

The E5061B-3L5 is equipped with a DC monitor function that can be used for either one of the following purposes;

- Monitoring the actual DC bias voltage (or current) that is applied to the DUT from the LF OUT or port-1
- Monitoring the DC voltage of the DUT at either port R or T

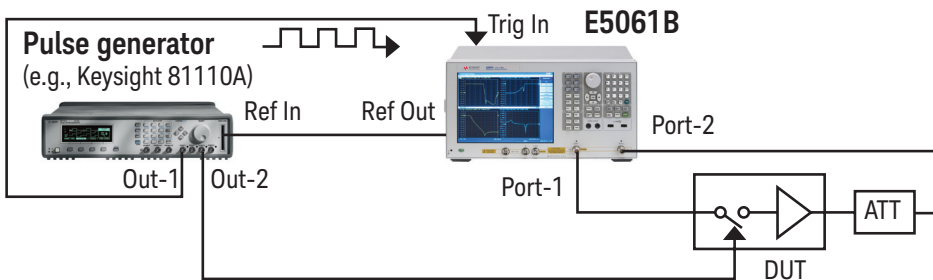


DC monitor function of the E5061B-3L5

### Point trigger capability

The point trigger (trigger-on-point) function and the trigger IN/OUT ports allow you to expand the E5061B's measurement capabilities. Application examples are;

- Pulsed measurement by applying external trigger pulse point-by-point for evaluating power amplifiers.
- Point-by-point synchronization with external measurement instruments (such as DMMs and USB power sensors) by programming the test sequence with the built-in VBA or an external PC.



Pulsed S-parameter measurement (example of power amplifier measurement)

### Time domain/Fault location analysis

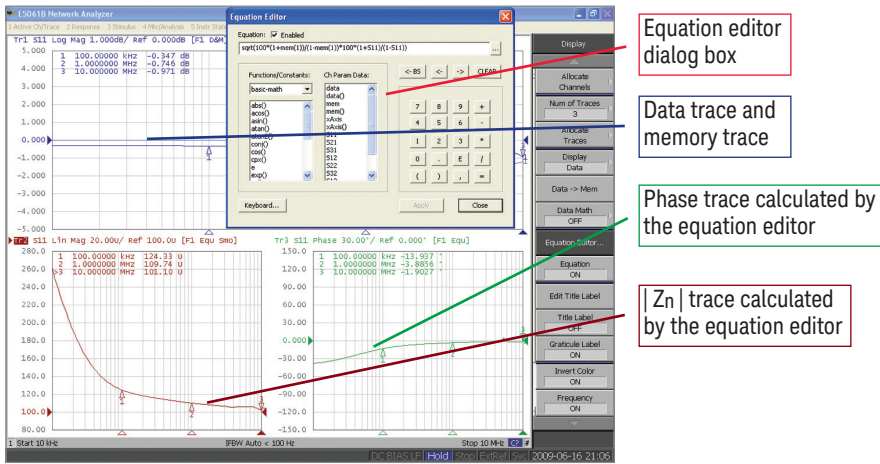
The option E5061B-010 time domain/fault location analysis allows you to locate the discontinuities and mismatches of devices such as cables. By employing the gating function in the time domain and transforming the data back to the frequency domain, you can remove unwanted responses of connector mismatch in your fixture. In addition, the cable SRL (Structural Return Loss) analysis capability is provided with option E5061B-010.

## Efficient data analysis

The E5061B also has convenient software tools that help you improve the measurement efficiency. You can minimize the time required for data analysis by utilizing these tools.

## Equation Editor

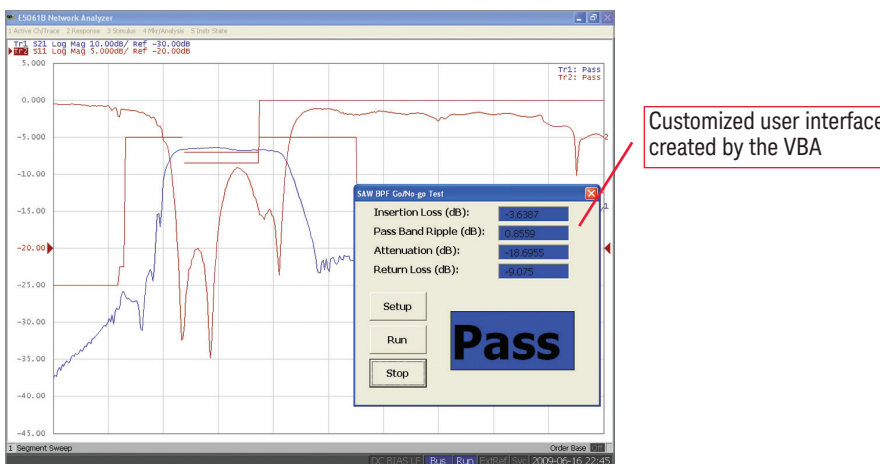
The built-in equation editor function enables you to plot user-defined parameters derived from measured S-parameters, such as differential input impedance/return loss, cable characteristic impedance, transfer impedance, K-factor, and other amplifier parameters. Once the equation is defined, the analyzer automatically calculates and plots the user-defined parameters in real time.



Cable characteristic impedance calculated with the equation editor (Open-short method)

## VBA programming

The E5061B is equipped with Visual Basic for Applications (VBA), which allows you to create and run a macro within the analyzer. You can further improve usability by creating a customized graphical user interface and automating your measurement. The program can be developed using the built-in VBA editor.



Customized graphical user interface created by the VBA

## Key specifications

E5061B-3L5 Key Specifications <sup>1</sup>	
Test frequency range	5 Hz to 3 GHz (1 mHz resolution)
Frequency stability	20 ppm (standard), 1 ppm (Option 1E5)
Test ports	S-parameter test port (5 Hz to 3 GHz, 50 $\Omega$ , type-N) Gain-phase test port (5 Hz to 30 MHz, input-Z: 1 M $\Omega$ /30 pF and 50 $\Omega$ switchable, BNC)
Source power level	-45 to +10 dBm (power sweep range: 55 dB)
Dynamic range at S-parameter port (IFBW=10 Hz <sup>2</sup> )	120 dB (at 1 MHz to 3 GHz), 115 dB (at 100 k to 1 MHz), 110 dB (at 9 k to 100 kHz), 100 dB (at 100 Hz to 9 kHz), 90 dB (at 5 Hz to 100 Hz) 130 dB (at 1 MHz to 3 GHz, S.P.D <sup>3</sup> )
Noise level at gain-phase port (IFBW=10 Hz <sup>2</sup> )	Referenced to full scale input level: +15 dBm (ATT=20 dB) / -5 dBm (ATT=0 dB), -110 dB (at 10 M to 30 MHz), -115 dB (at 100 k to 10 MHz), -105 dB (at 9 k to 100 kHz), -95 dB (at 100 Hz to 9 kHz), -95 dB (at 5 Hz to 100 Hz)
Trace noise (at IFBW=3 kHz)	5 mdBrms
Measurement parameter	S11, S21, S12, S22, T/R, absolute values
DC bias source	0 to $\pm$ 40 Vdc, resolution: 1 mV (at 0 to $\pm$ 10 Vdc) or 4 mV (at $\pm$ 10 to 40 Vdc)
DC monitor	Monitors external DC voltage at port R or T. Monitors internal DC bias output level at port-1 or LF OUT port.
Sweep capabilities	Liner/log frequency sweep, segment sweep, power sweep, DC bias sweep
Number of channels / traces	4-ch/4-trace
Number of points	1601 points
IFBW	1 Hz to 300 kHz, manual and auto modes
Calibration capabilities	Response, 1-port full, 2-port full, Enhanced Response, Adapter Removal, Auto port extension, ECal <sup>4</sup>
Time domain/Fault location	Available with the option E5061B-010. Includes time gating and SRL analysis capabilities.
Other analysis capabilities	Impedance conversion (reflection, transmission, trans-shunt) Limit test functions
Post data processing	Equation editor, VBA
Operating system	Windows open OS

- For additional specification details see the Keysight E5061B Network Analyzer Data Sheet (literature number 5990-4392EN) available on our web site; <http://cp.literature.keysight.com/litweb/pdf/5990-4392EN.pdf>
- IFBW=2 Hz at <100 Hz
- S.P.D. (Supplemental Performance Data) represents the value of a parameter that is most likely occurs.
- The applicable frequency range is above 300 kHz for 2-port ECal modules, and above 9 kHz for the 4-port ECal module N4431B.

## Ordering information

Model number	Description
E5061B	Network Analyzer

Test Set Option	Description
E5061B-3L5 <sup>1</sup>	LF-RF network analyzer with DC bias source, 5 Hz to 3 GHz

Other option	Description
E5061B-1E5	High stability timebase
E5061B-010	Time domain/Fault location analysis
E5061B-019 <sup>2</sup>	Standard hard disk drive
E5061B-810	Add keyboard
E5061B-820	Add mouse
E5061B-1CM	Rack mount kit
E5061B-1CN	Front handle kit
E5061B-1CP	Rack mount and front handle kit
E5061B-1A7	ISO 17025 compliant calibration
E5061B-A6J	ANSI Z540 compliant calibration

1. E5061B-3L5 is the only one test set option available as of October 2009.
2. The E5061B-019 is the only one hard disk drive option. Removable hard disk drive is not provided for the E5061B.

## Evolving Since 1939

Our unique combination of hardware, software, services, and people can help you reach your next breakthrough. We are unlocking the future of technology.

From Hewlett-Packard to Agilent to Keysight.



For more information on Keysight Technologies' products, applications or services, please contact your local Keysight office. The complete list is available at: [www.keysight.com/find/contactus](http://www.keysight.com/find/contactus)

### Americas

Canada	(877) 894 4414
Brazil	55 11 3351 7010
Mexico	001 800 254 2440
United States	(800) 829 4444

### Asia Pacific

Australia	1 800 629 485
China	800 810 0189
Hong Kong	800 938 693
India	1 800 11 2626
Japan	0120 (421) 345
Korea	080 769 0800
Malaysia	1 800 888 848
Singapore	1 800 375 8100
Taiwan	0800 047 866
Other AP Countries	(65) 6375 8100

### Europe & Middle East

Austria	0800 001122
Belgium	0800 58580
Finland	0800 523252
France	0805 980333
Germany	0800 6270999
Ireland	1800 832700
Israel	1 809 343051
Italy	800 599100
Luxembourg	+32 800 58580
Netherlands	0800 0233200
Russia	8800 5009286
Spain	800 000154
Sweden	0200 882255
Switzerland	0800 805353
	Opt. 1 (DE)
	Opt. 2 (FR)
	Opt. 3 (IT)
United Kingdom	0800 0260637

For other unlisted countries: [www.keysight.com/find/contactus](http://www.keysight.com/find/contactus) (BP-9-7-17)

DEKRA Certified  
ISO 9001 Quality Management System

[www.keysight.com/go/quality](http://www.keysight.com/go/quality)  
Keysight Technologies, Inc.  
DEKRA Certified ISO 9001:2015  
Quality Management System

### myKeysight

#### myKeysight

[www.keysight.com/find/mykeysight](http://www.keysight.com/find/mykeysight)

A personalized view into the information most relevant to you.

[www.keysight.com/find/emt\\_product\\_registration](http://www.keysight.com/find/emt_product_registration)

Register your products to get up-to-date product information and find warranty information.

### KEYSIGHT SERVICES

Accelerate Technology Adoption.  
Lower costs.

#### Keysight Services

[www.keysight.com/find/service](http://www.keysight.com/find/service)

Keysight Services can help from acquisition to renewal across your instrument's lifecycle. Our comprehensive service offerings—one-stop calibration, repair, asset management, technology refresh, consulting, training and more—helps you improve product quality and lower costs.



#### Keysight Assurance Plans

[www.keysight.com/find/AssurancePlans](http://www.keysight.com/find/AssurancePlans)

Up to ten years of protection and no budgetary surprises to ensure your instruments are operating to specification, so you can rely on accurate measurements.

#### Keysight Channel Partners

[www.keysight.com/find/channelpartners](http://www.keysight.com/find/channelpartners)

Get the best of both worlds: Keysight's measurement expertise and product breadth, combined with channel partner convenience.



This information is subject to change without notice.  
© Keysight Technologies, 2017  
Published in USA, December 1, 2017  
5990-4390EN  
[www.keysight.com](http://www.keysight.com)