

B21LS B Series Handheld Thermal Camera



HIKMICRO B21LS is designed for temperature measurement to find invisible faults. It's equipped with a 256 x 192 resolution thermal detector. The thermography ranges from -20°C to 550°C (-4°F to 1022°F). Which meets most situations. It helps the staff to quickly find the fault according to accurate temperature measurements of high-temperature targets in the environment. Meanwhile, it provides assistance decisions and ensures safety. The device is mainly applied to various industries, such as building, HVAC, and auto industry, etc.

▪ Features

- IR resolution: 256 × 192 (49,152 pixels)
- NETD : < 40 mK (@ 25 °C,F#=1.0)
- Temperature measurement range : -20°C to 550°C (-4°F to 1022°F)
- Accuracy: Max ($\pm 2^{\circ}\text{C}/3.6^{\circ}\text{F}$, $\pm 2\%$), for ambient temperature 15°C to 35°C (59°F to 95°F) and object temperature above 0°C (32°F)
- Measurement presets: Center spot, Hot spot, Cold spot, User Preset Point
- 25 Hz image frequency
- 3.2" 480 × 640 Resolution LCD Screen
- Up to 6 hours continuous running
- Support SuperIR image enhancement technology

▪ Specification

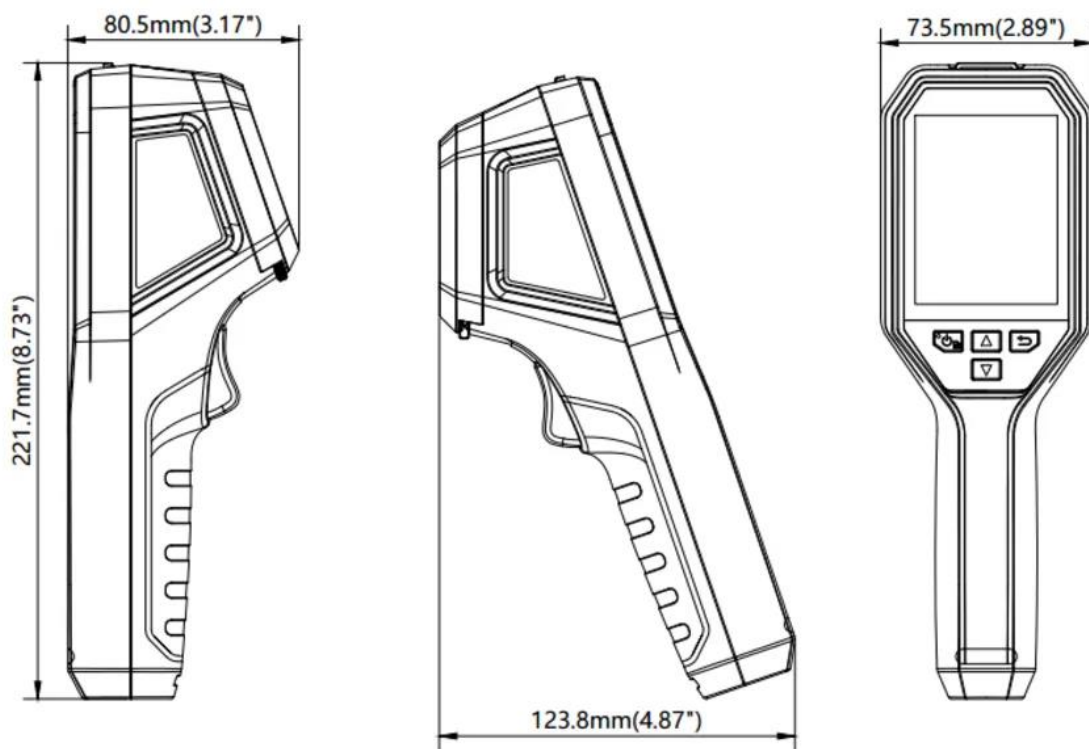
Infrared Image	
IR Resolution	256 × 192 (49,152 pixels)
SuperIR	Yes, on captured images and live view
NETD	< 40 mK (@ 25 °C, F#=1.0)
Image Frequency	25 Hz
Detector Pitch	12 μm
Spectral Range	7.5 to 14 μm
Focal Length	3.6 mm
F-number	F1.0
Field of View (FOV)	37.2° × 50.0°
Spatial Resolution (IFOV)	3.3 mrad
Min. Focus Distance	0.3 m (0.98 ft)
Focus Mode	Focus Free
Image Display	
Display	480 × 640 Resolution, 3.2" LCD Screen
Color Palettes	White Hot, Black Hot, Rainbow, Ironbow, Red Hot, Fusion
Color Alarm	Above alarm
Image Modes	Thermal
Measurement and Analysis	
Object Temperature Range	Range -20°C to 150°C (-4°F to 302°F) Range 100°C to 550°C (212°F to 1022°F)
Accuracy	Max. (± 2°C/3.6°F, ± 2%), for ambient temperature 15°C to 35°C (59°F to 95°F) and object temperature above 0°C (32°F)
Measurement Tools	Center Spot, Hot Spot, Cold Spot User-definable: 3 spots
Level and Span Mode	Auto/Manual
Data Storage and Communication	
Storage Media	Built-in 16G eMMC (user available storage space is less than the nominal capacity)
Image Storage Capacity	Approx. 35,000 Images
Image File Format	Radiometric JPEG
General	
Wi-Fi	802.11 b/g/n (2.4GHz)
USB Interface	USB Type-C
Battery Type	Rechargeable Li-ion battery
Battery Operating Time	Approx. 6 hours
Battery Charging Time	Approx. 3 hours fully charged
Protection Level	IP54

Drop Test Height	2 m (6.56 ft)
Working Temperature Range	-10°C to 50°C (14°F to 122°F)
Storage Temperature Range	-20°C to 60°C (-4°F to 140°F)
Relative Humidity	< 95% non-condensing
Weight	Approx. 380 g (0.84 lb)
Dimension	221.7 × 73.5 × 123.8mm (8.73 × 2.89 × 4.87 in)
Power Supply	USB-C (5V/2A)
Tripod Mounting	UNC ¼" -20
Laser	Yes, Class II

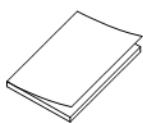
▪ **Available Model**

HM-TP52+-3AQF/W-B21LS

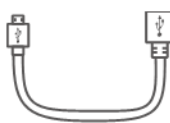
▪ **Dimension**



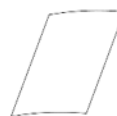
▪ **Packing List**



Quick Start Guide (× 1)



USB 2.0 A to USB Type-C Cable (× 1)



Calibration Certificate (× 1)



Wrist Strap (× 1)

- **Accessory**

- **Optional**

HM-B201-MACRO
Thermography
Camera Macro Lens



HM-B01-POUCH
POUCH



COMPLIANCE NOTICE: The thermal series products might be subject to export controls in various countries or regions, including without limitation, the United States, European Union, United Kingdom and/or other member countries of the Wassenaar Arrangement. Please consult your professional legal or compliance expert or local government authorities for any necessary export license requirements if you intend to transfer, export, re-export the thermal series products between different countries.



DISTRAME

Parc du Grand Troyes - 40 rue de Vienne - 10300 SAINTE-SAVINE
Tél. : 03 25 71 25 83 - infos@distrame.fr - www.distrame.fr

 Hikmicro Industrial

 hikmicro_industrial

 HIKMICRO Industrial

 HIKMICRO

 info@hikmicrotech.com

 www.hikmicrotech.com

© Hangzhou Microimage Software Co., Ltd. All Rights Reserved.

*Note: Specifications are subject to change without notice. For the current specs,
please go to www.hikmicrotech.com